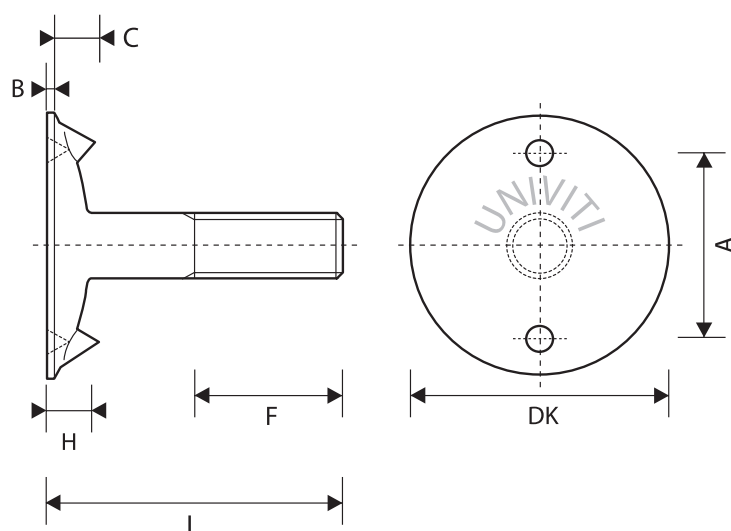


## DIN 15237

### BULLONE PER ELEVATORE A TAZZE



|           |          |             |             |             |
|-----------|----------|-------------|-------------|-------------|
| <b>M</b>  | <b>6</b> | <b>8</b>    | <b>10</b>   | <b>12</b>   |
| <b>DK</b> | 20       | 28          | 35          | 42          |
| <b>A</b>  | 14       | 20          | 25          | 30          |
| <b>B</b>  | 1        | 1           | 1           | 1,2         |
| <b>C</b>  | 3,5      | 5           | 6           | 7           |
| <b>H</b>  | 2,5      | 3,5         | 4,5         | 5,2         |
| <b>L</b>  | 20       | 25/30/35/40 | 30/35/40/50 | 35/40/50/60 |
| <b>F</b>  | 12       | 15/18/18/20 | 18/20/20/20 | 20/25/28/28 |